



Hole Formers



SCAN ME
to find out more

AVAILABLE THROUGH

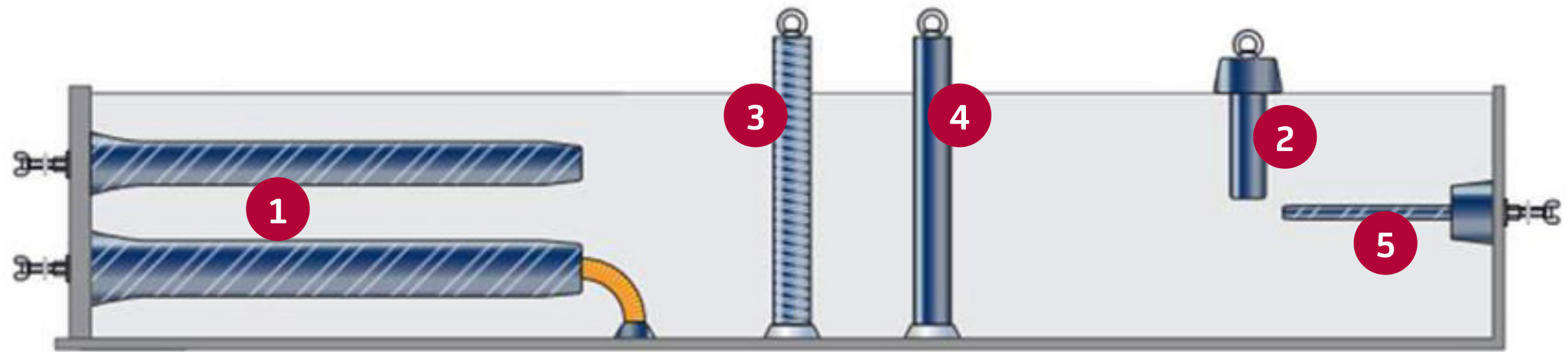


www.sigca.co.uk | precast@sigplc.com

InnoGain is a highly flexible solution for pre-cast hole forming

Offering cost-effective solutions compared to Post Setting Diamond Drilling and requiring minimal maintenance, InnoGain is a simple to install system, by placing the VR & VS in location, the PH is then pushed into the wet concrete, which is secured to the framing by the GM. InnoGain can also be easily removed by hand with no specialist tools required.

InnoGain products ensure consistent, quality concrete casting, prioritising worker safety. The direct casting guarantees uniformity and preserves structural integrity removing the need to drill, putting strain on the concrete, which can result in micro-cracking, weakening the slab.



1
InnoGain GM

Provides a cost effective, efficient, and sustainable alternative for creating spiral profiled recesses in pre-cast and in-situ concrete. Replacing traditional techniques of using threaded starter bar anchors, InnoGain GM precision form holes in which a standard reinforcement bar can be installed.

Using the InnoGain method of hole forming means there is no interruption in the reinforcement bar which makes it suitable for static and dynamic loads.

Each InnoGain GM can typically be reused up to 100 times making it ideal for applications where holes need to be created accurately and on scale.



2
InnoGain PH

InnoGain PH has been developed to specifically remove the need for drilling on-site where scaffolding bars or posts of similar sizes need to be erected on a concrete surface.

Concrete is traditionally poured and cured before holes are drilled to accept scaffolding or posts, with InnoGain PH, the hole is precision formed as part of the concrete casting process which means it is suitable for use with cast on-site concrete as well as pre-cast manufacture.

The holes can be placed with more accuracy than with drilling and offer a much more consistent quality for the depth of the hole.



3
InnoGain VR

Removing the need for drilling on-site, InnoGain VR is designed for use in vertical applications, creating spiral recesses in units such as ground beams, balconies and staircases. The precision formed grooved profile delivers a clean surface for adhering grout.

Cast directly into concrete, once cured the InnoGain VR is simply removed by hand, with no requirement for specialist tools. Dependent on whether timber or metal formwork is being used, within seconds the InnoGain VR can be firmly connected with woodscrews, fixing bolts or magnets. The appropriate formwork foot fixing should be selected from the InnoGain accessories.

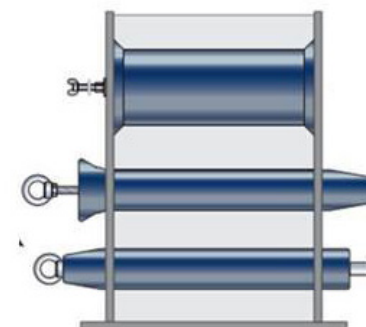


4
InnoGain VS

Removing the need for drilling or the use of steel casing on-site, InnoGain VS is designed for use in vertical applications where a smooth recess is required.

InnoGain VS precision forms smooth holes which are ideal for cables, electric, sewer or water supply.

The high-quality smooth finish which InnoGain VS delivers overcomes the issues traditionally caused by PVC or metal tubes as nothing is left in the concrete once removed.



5
InnoGain C/CF

The InnoGain Channel Former is a substitute for conventional starter box systems for both horizontal and vertical use. This creates a series of profiled holes for connecting reinforcement bars and fixing new concrete panels against precast concrete units. Once formed, rebars in any required pattern are installed with an approved resin to provide a bond as secure as conventional systems. Importantly, the profiled holes are anti-tapered which increases the pull out load.

Available in a choice of systems designed for use with timber (InnoGain CF) or metal (InnoGain C) formwork, InnoGain Channel offers a flexible alternative to traditional methods.



5
InnoGain 3D

InnoGain offers a 3D System that completely removes the need to drill holes in concrete for anchoring. A choice of systems accommodates the use of both a timber wooden box (which is used in conjunction with a screwplate) and a steel box, where the InnoGain holder is supplied in a magnetic form.

Whether the 3D System is being used with timber or metal, the installation process is the same. A profiled MGM (Mini Gate Maker) product is pushed into the holder to precision form a hole with an exact diameter and depth. The hole profile is anti-tapered to increase the pull-out load.

Contact your local branch today

SCOTLAND

Aberdeen

Woodside Road, Bridge of Don, Scotland, AB23 8EF
01224 825 825

Cambuslang

95 Westburn Drive, Glasgow, Scotland, G72 7NA
0141 445 7960

NORTH

Leeds

Intermezzo Drive, Pontefract Road, West Yorkshire, LS10 1RU
0113 272 4025

Manchester

Unit 1, Trafford Point 1, Trafford Park, Manchester, M17 1SH
0161 836 4488

Sheffield

Nunnery Drive, Sheffield, South Yorkshire, S2 1TA
0114 241 3000

Tyneside

Federation Business park, St Omers Road, Gateshead, NE11 9EE
0191 487 4983

MIDLANDS

Aston

91 Chester St, Birmingham, B6 4AE
0121 522 0200

Norwich

White Lodge Business Park, Hall Road, NR4 6DQ
01603 765 660

WEST

Bristol

Unit 13 Concorde Road, Patchway, Bristol, BS34 5TB
0117 301 3620

Plymouth

87 St Modwen Road, Parkway Industrial Estate, Plymouth, PL6 8LH
01752 675 400

WEST LONDON

Ash Vale

Lysons Link South, Lysons Avenue, Surrey, GU12 5GN
01252 527 000

Bedford

Telford Way, Bedford, Bedfordshire, MK42 0PQ
01234 268 427

